

Ampeg[®]

Speaker Cabinets

Quick Start Guide



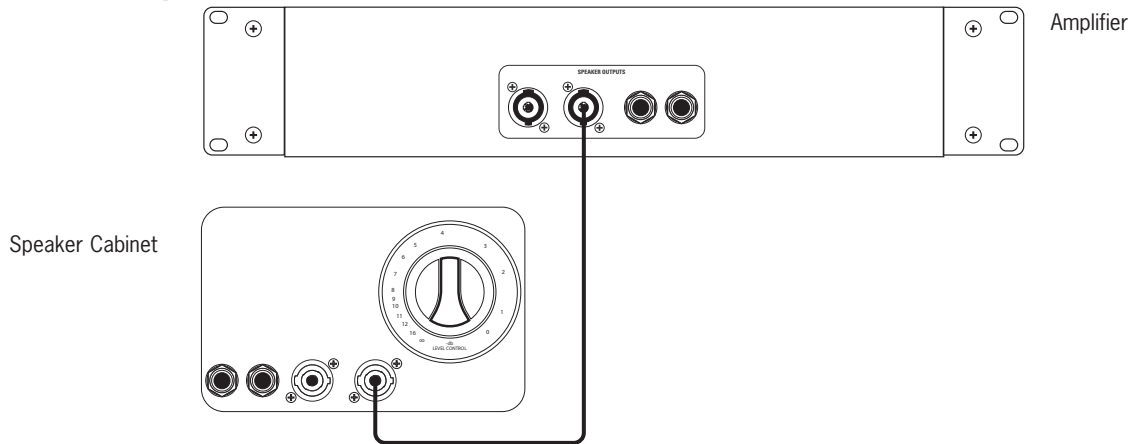
HSVT-810AV, HSVT-810E, SVT-810AV, SVT-810E, SVT-610HLF, HSVT-410HLF, SVT-410HLF, SVT-410HE, SVT-210AV, SVT-212AV, SVT-112AV, SVT-15E, PN-115HLF, PN-210HLF, PN-410HLF, PF-115HE, PF-210HE, PF-115LF, PF-410HLF, and PF-112HLF

What's in the Box

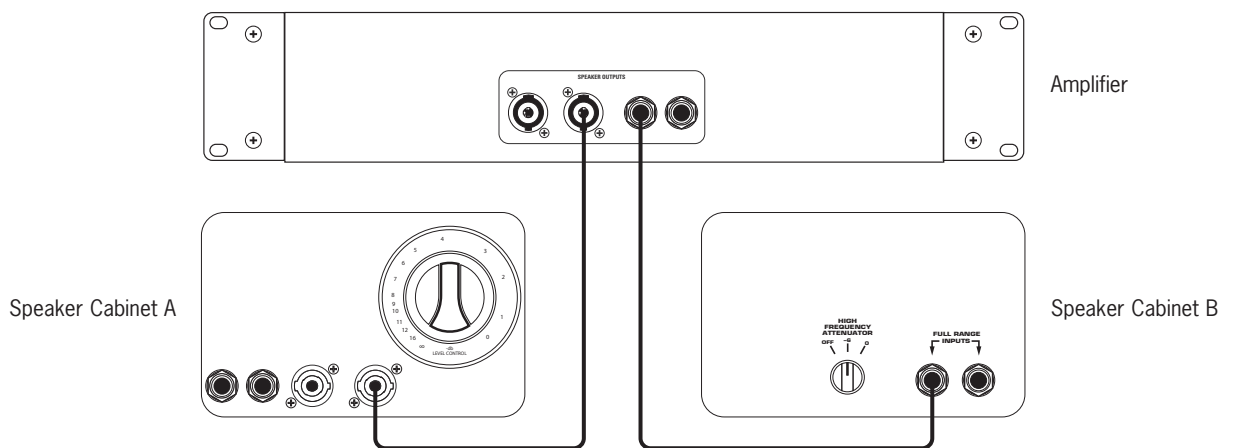
HSV-810AV, HSV-810E, SVT®-810AV, SVT-810E, SVT-610HLF, HSV-410HLF, SVT-410HLF, SVT-410HE, SVT-210AV, SVT-212AV, SVT-112AV, SVT-15E, PN-115HLF, PN-210HLF, PN-410HLF, PF-115HE, PF-210HE, PF-115LF, PF-410HLF, or PF-112HLF Speaker Cabinet, Quick Start Guide.

Hookup Diagrams

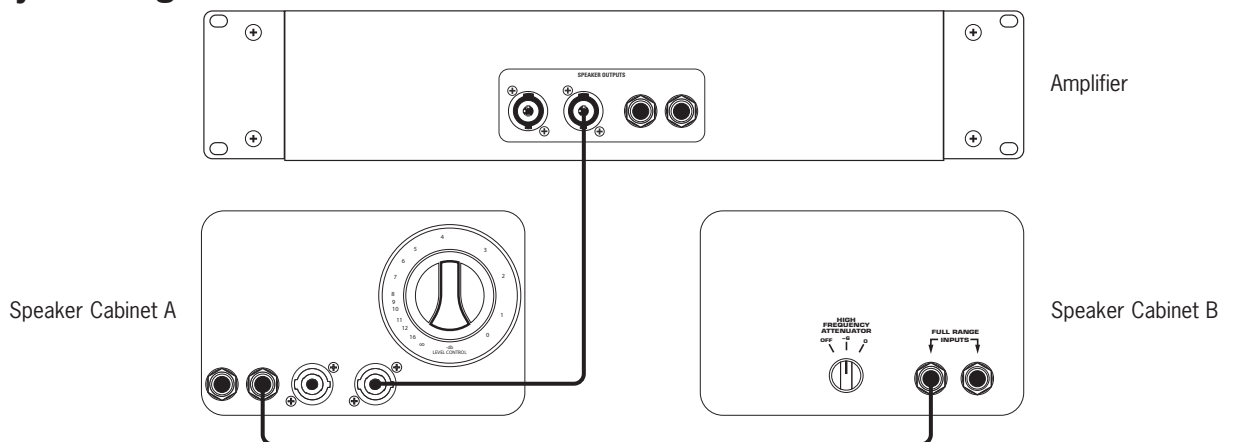
Standard Setup



Parallel Setup

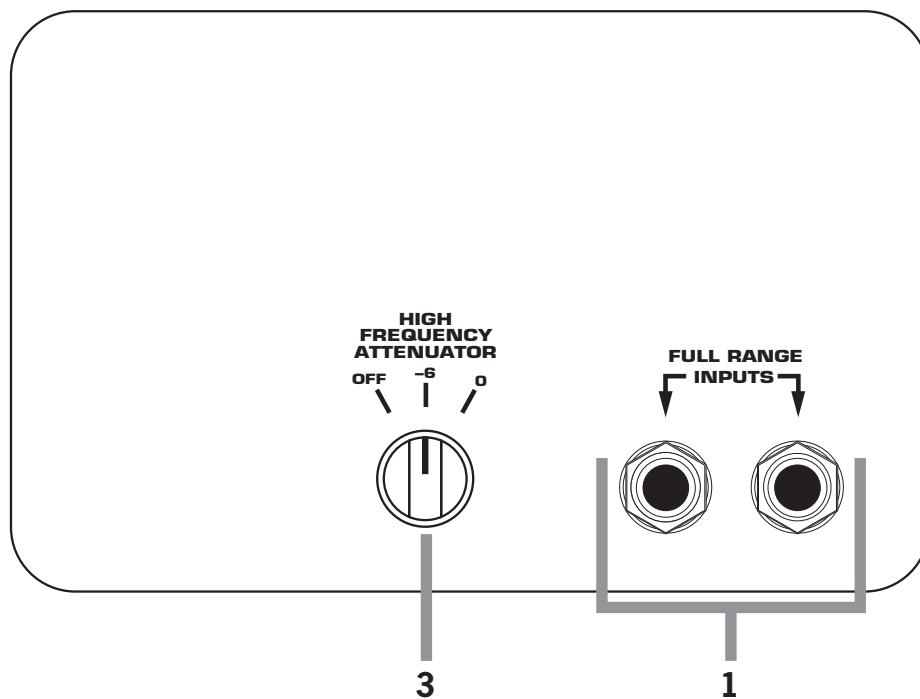
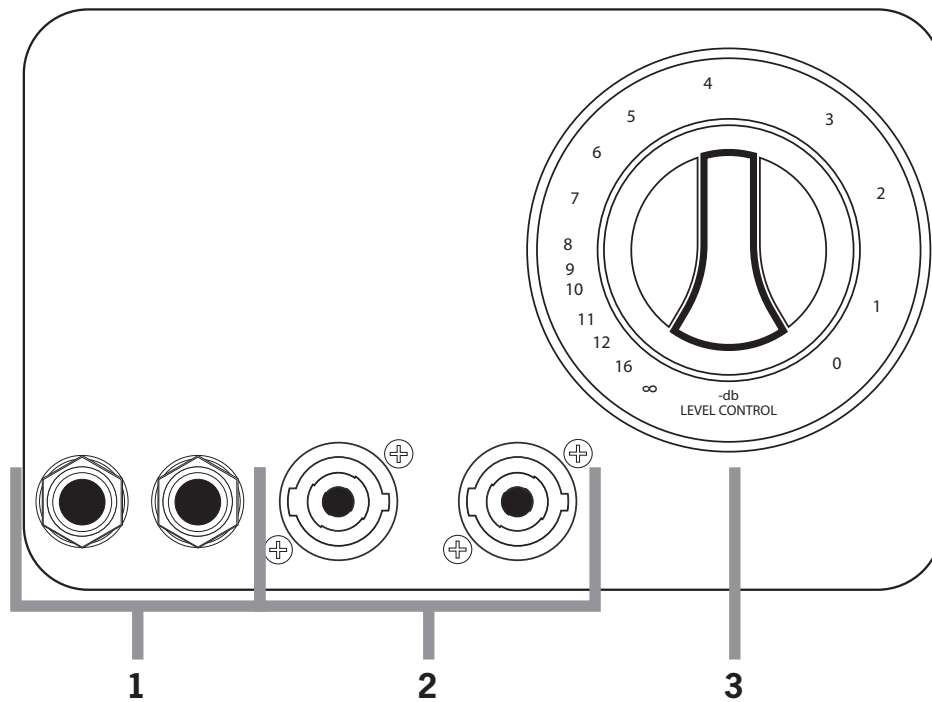


Daisy Chaining



Note: Use same impedance cabinets in parallel setups and when daisy-chaining

Rear Panel Connector Plate Styles



- 1. 1/4" Input / Output Jacks:** Connect the speaker-level output of an amplifier to the cabinet's Input jack. Each of the jacks may be used as an input or a through connection.
- 2. Speakon® Input / Output Jacks:** Connect the speaker-level output of an amplifier to the cabinet's Input jack. Each of the jacks may be used as an input or a through connection.
- 3. High Frequency Horn Level Control / Attenuator:** Adjusts the level to the high frequency horn.

Technical Specifications

	Frequency Response (+/-3 dB)	Usable Low Frequency (-10 dB)	Impedance	Power Rating (rms)	Sensitivity (dB SPL 1W/1m)
HSVT-810AV	58 Hz – 5 kHz	40 Hz	Mono: 4 Ω (8x10) Stereo: 8 Ω (4x10)	Mono: 800 W (8x10) Stereo: 400 W 2x (4x10)	100
HSVT-810E	58 Hz – 5 kHz	40 Hz	Mono: 4 Ω (8x10) Stereo: 8 Ω (4x10)	Mono: 800 W (8x10) Stereo: 400 W 2x (4x10)	100
SVT-810AV	58 Hz – 5 kHz	40 Hz	Mono: 4 Ω (8x10) Stereo: 8 Ω (4x10)	Mono: 800 W (8x10) Stereo: 400 W 2x (4x10)	100
SVT-810E	58 Hz – 5 kHz	40 Hz	Mono: 4 Ω (8x10) Stereo: 8 Ω (4x10)	Mono: 800 W (8x10) Stereo: 400 W 2x (4x10)	100
SVT-610HLF	53 Hz – 18 kHz	42 Hz	4 Ω	600 W	98
HSVT-410HLF	48 Hz – 18 kHz	28 Hz	4 Ω	500 W	98
SVT-410HLF	48 Hz – 18 kHz	28 Hz	4 Ω	500 W	98
SVT-410HE	60 Hz – 18 kHz	43 Hz	8 Ω	500 W	98
SVT-210AV	58 Hz – 5 kHz	40 Hz	8 Ω	200 W	97.8
SVT-212AV	71 Hz – 18 kHz	40 Hz	4 Ω	600 W	99
SVT-112AV	70 Hz – 18 kHz	35 Hz	8 Ω	300 W	96
SVT-15E	50 Hz – 3 kHz	33 Hz	8 Ω	200 W	98
PN-115HLF	48 Hz – 10 kHz	28 Hz	8 Ω	575 W	98
PN-210HLF	70 Hz – 10 kHz	40 Hz	8 Ω	550 W	97
PN-410HLF	70 Hz – 10 kHz	38 Hz	8 Ω	850 W	100
PF-115HE	50 Hz – 17 kHz	35 Hz	8 Ω	450 W	99.5
PF-210HE	53 Hz – 17 kHz	38 Hz	8 Ω	450 W	99.6
PF-115LF	57 Hz – 3.7 kHz	32 Hz	8 Ω	400 W	99.5
PF-410HLF	55 Hz – 17 kHz	30 Hz	8 Ω	800 W	101
PF-112HLF	68 Hz – 14 kHz	49 Hz	8 Ω	200 W	96

All specifications subject to change

Maximum SPL (dB)	LF drivers	HF horn	Inputs/Outputs	Size (H x W x D)	Weight
130	8x10"		1 x 1/4" (Mono) / 1 x Speakon® (Mono) 2 x 1/4" (Stereo)	48 x 26 x 16 in 1219 x 660 x 406 mm	137 lb 62.1 kg
130	8x10"		1 x 1/4" (Mono) / 1 x Speakon® (Mono) 2 x 1/4" (Stereo)	48 x 26 x 16 in 1219 x 660 x 406 mm	137 lb 62.1 kg
130	8x10"		1 x 1/4" (Mono) / 1 x Speakon (Mono) 2 x 1/4" (Stereo)	48 x 26 x 16 in 1219 x 660 x 406 mm	140 lb 63.5 kg
130	8x10"		1 x 1/4" (Mono) / 1 x Speakon (Mono) 2 x 1/4" (Stereo)	48 x 26 x 16 in 1219 x 660 x 406 mm	140 lb 63.5 kg
125	6x10"	✓	2 x 1/4" 2 x Speakon	40 x 24 x 16 in 1016 x 610 x 406 mm	115 lb 52.2 kg
125	4x10"	✓	2 x 1/4" 2 x Speakon	30 x 24 x 19 in 762 x 610 x 483 mm	73 lb 33.1 kg
125	4x10"	✓	2 x 1/4" 2 x Speakon	30 x 24 x 19 in 762 x 610 x 483 mm	74 lb 33.6 kg
122	4x10"	✓	2 x 1/4" 2 x Speakon	25 x 24 x 16 in 635 x 610 x 406 mm	71 lb 32.2 kg
121	2x10"		2 x 1/4"	25 x 13 x 11 in 635 x 330 x 280 mm	26 lb 11.8 kg
127	2x12"	✓	2 x 1/4"	25 x 24 x 16 in 635 x 610 x 406 mm	66 lb 29.9 kg
121	1x12"	✓	2 x 1/4"	17 x 24 x 16 in 432 x 610 x 406 mm	45 lb 20.4 kg
123	1x15"		2 x 1/4" 2 x Speakon	24 x 22 x 16 in 610 x 559 x 406 mm	72 lb 32.7 kg
125	1x15"	✓	2 x 1/4" 2 x Speakon	23.5 x 22.8 x 17.5 in 597 x 578 x 445 mm	59 lb 26.8 kg
124	2x10"	✓	2 x 1/4" 2 x Speakon	18 x 22.8 x 17.3 in 456 x 578 x 439 mm	44 lb 20 kg
127	4x10"	✓	2 x 1/4" 2 x Speakon	26.5 x 22.8 x 17.5 in 673 x 578 x 445 mm	64 lb 29 kg
125.5	1x15"	✓	2 x 1/4"	23 x 21 x 14.3 in 584 x 533 x 363 mm	44.8 lb 20.3 kg
125.6	2x10"	✓	2 x 1/4"	23 x 21 x 14.3 in 584 x 533 x 363 mm	47.6 lb 21.6 kg
125.5	1x15"		2 x 1/4"	23.5 x 22.75 x 17.5 in 598 x 578 x 445 mm	55.8 lb 25.4 kg
130	4x10"	✓	2 x 1/4"	27.3 x 22.75 x 17.5 in 693 x 578 x 445 mm	73.4 lb 33.3 kg
122	1x12"	✓	2 x 1/4"	19.8 x 17.1 x 13.1 in 503 x 434 x 333 mm	30.8 lb 14.0 kg



WARRANTY AND SUPPORT

Visit **WWW.AMPEG.COM** to...

- (1) ...identify **WARRANTY** coverage provided in your local market. Please keep your sales receipt in a safe place.
- (2) ...retrieve a full-version, printable **OWNER'S MANUAL** (English only) for your product.
- (3) ...**REGISTER** your product.
- (4) ...**CONTACT** Technical Support, or call 818-575-3600.

Supplier's Declaration of Conformity 47 CFR § 2.1077 Compliance Information

Unique Identifiers: Ampeg HSVT-810AV, HSVT-810E, SVT®-810AV, SVT-810E, SVT-610HLF, HSVT-410HLF, SVT-410HLF, SVT-410HE, SVT-210AV, SVT-212AV, SVT-112AV, SVT-15E, PN-115HLF, PN-210HLF, PN-410HLF, PF-115HE, PF-210HE, PF-115LF, PF-410HLF, and PF-112HLF Speaker Cabinets

Responsible Party - U.S. Contact Information:

Yamaha Guitar Group, Inc.
26580 Agoura Road
Calabasas, CA 91302-1921
(818) 575-3600
<https://ampeg.com/>

FCC Compliance Statement:

This device complies with Part 15 of the FCC Rules. Operation is subject to the following two conditions: (1) This device may not cause harmful interference, and (2) this device must accept any interference received, including interference that may cause undesired operation.

www.ampeg.com
Yamaha Guitar Group, Inc.
26580 Agoura Road, Calabasas, CA 91302-1921 USA
Part No. 40-00-0527 Rev. C

