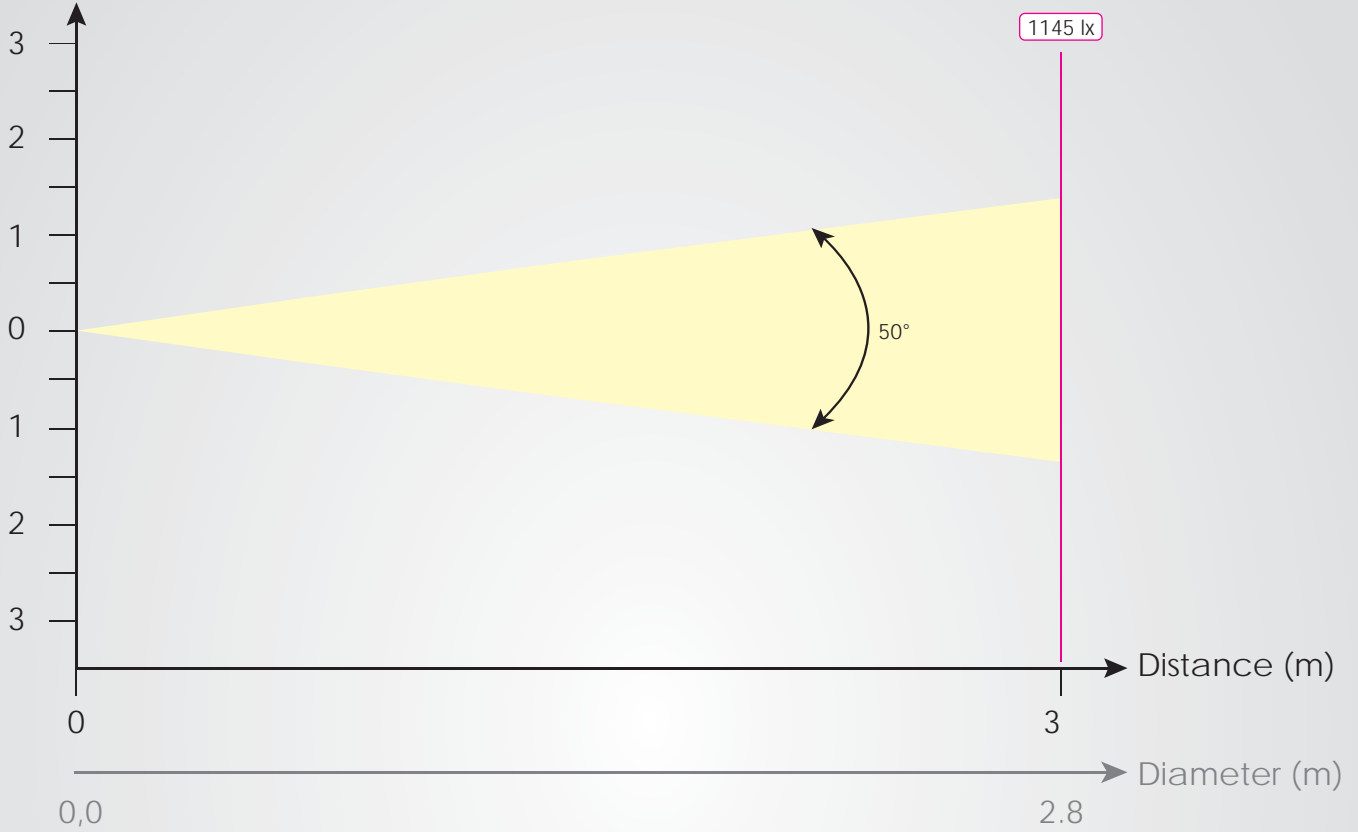


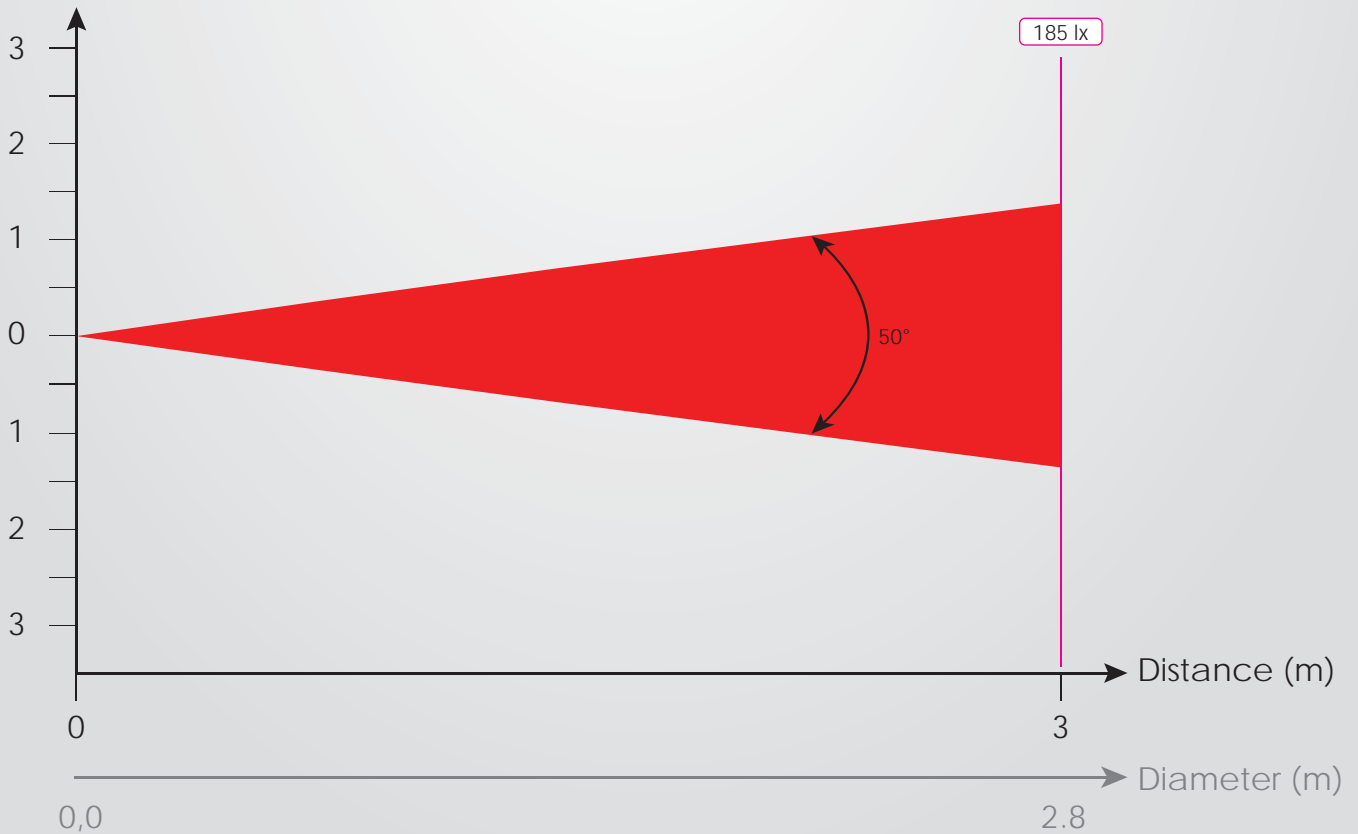
RGBW

Beam opening  
(m)



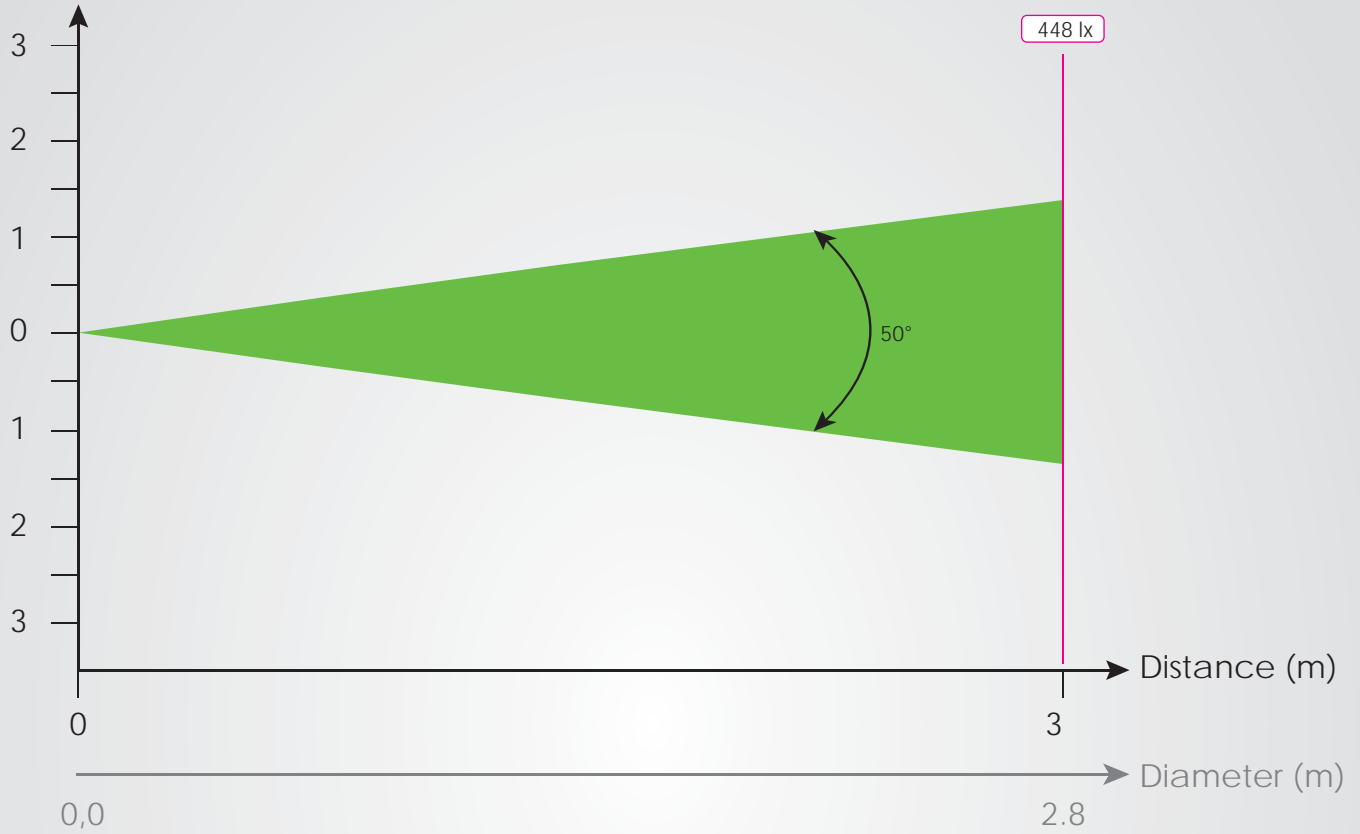
R

Beam opening  
(m)



G

Beam opening  
(m)



B

Beam opening  
(m)

