

MECHANICAL SPECIFICATIONS

FIXTURE

Dimensions:

mm: 861 x 595 x 343
in: 33.9 x 23.4 x 13.5

Weight: 39 kg (85 lb)

PACKED IN ROADCASE FOR SHIPPING

Dimensions

mm: 940 x 737 x 641
in: 37 x 29 x 27.25

Weight: 78 kg (170 lb)

Mounting Information: Catalyst DL1 fixture can be truss mounted using 1/4 cam-lock c-clamps or style pole mounting brackets. It can also stand upright on a stable surface.

Colors Available: Black.

ELECTRICAL/LAMP SPECIFICATIONS

Input ratings: 100–120V 6.8A maximum 50/60Hz,
200–240V 3.4A 50/60Hz

Power factor: 0.94

Fuse: Power supply output fuse: 5A, 250V slow blow only.

Lamp: 300W NSH

Light Output: 5500 ANSI lumens

Rated Lamp Life: 1500 hours

PROJECTOR

Aspect ratio: 4:3 native

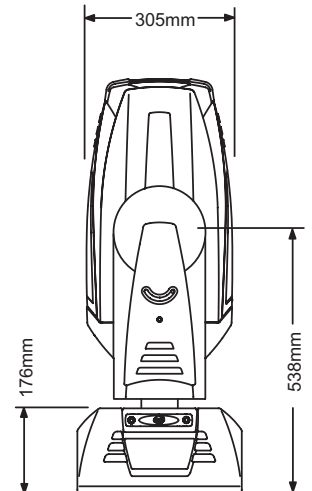
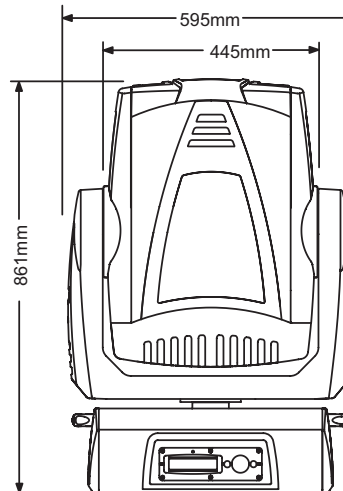
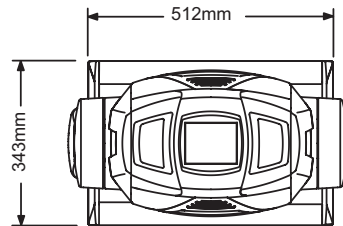
Brightness uniformity: 90%

Contrast ratio: 1200:1, full on/full off

Display technology: 1.3" LCD w/MLA, 3 panels

Panel resolution: 1024 x 768 dots

Zoom Lens Throw Ratio: 1.8 - 2.4:1



OPERATION

Pan: 400°

Tilt: 270°

Control Options: Fixture Talkback, RSB

Projection Lens: F1.7 – 2.0 lens with $f = 48.2 \text{ mm} - 62.2 \text{ mm}$ with DMX control of zoom and focus.

Throw Ratio: 1.8-2.4:1

Minimum Focus Distance: 1.4 meters (4.6 ft)

Compliances: CE, CSA, ETL

Video Connectors: SVideo MINI DIN, RGBHV BNC, VGA HDB15 (all switchable via DMX)

DMX Connectors: 5-pin male and female XLR connectors

LCD Panel System: 1.3 in TFT Active Matrix type, 3 panels.

Panel Resolution: 1024 x 768 dots

Color System: PAL, SECAM, NTSC, NTSC4.43, PAL-M AND PAL-N

High Definition TV Signal: 480i, 480p, 575i, 575p, 720p, 1035i and 1080i

Scanning Frequency: H-sync. = 15 – 100 KHz, V-sync. = 50 – 100 Hz

Horizontal Resolution: 800 TV lines (HDTV).

Environmental Tolerances:

Ambient Operating Temperature Range: 5°C (41°F) – 35°C (95°F)

Storage Temperature Range: -10°C (14°F) - 60°C (140°F)

Software Upgrades: Operating software may be downloaded from the High End Systems web site (www.highend.com)

PART NUMBERS

Fixture

60010001: DL1 fixture, Black

DMX CHANNELS

<u>Channel</u>	<u>Function</u>
1	Pan Course
2	Pan Fine
3	Tilt Course
4	Tilt Fine
5	Iris/Shutter
6	Focus
7	Zoom
8	MSpeed
9	Macro
10	Control
11	Input Source Select