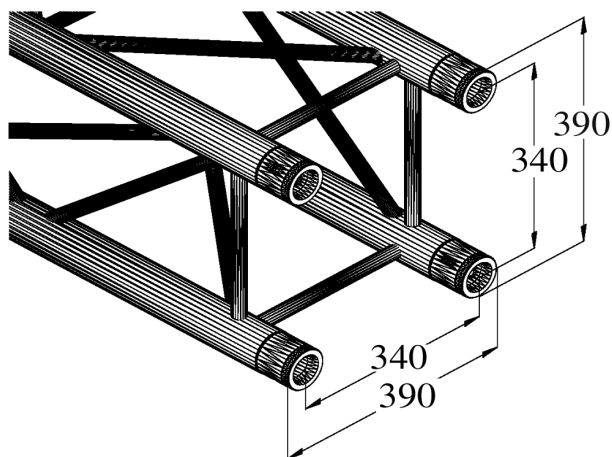


alutruss QUADLOCK TQ390



System components (straights):		
Designation	No.	Weight (kg)
TQ390-500	60306010	3,9
TQ390-1000	60306015	6,2
TQ390-2000	60306020	11,0
TQ390-2500	60306025	13,5
TQ390-3000	60306030	15,8
TQ390-4000	60306035	20,6
TQ390-5000	60306040	25,4

Materials used:

Alloy	EN-AW 6082 T6 (AlMgSi1,0 T6)
Main chords	50 x 2 mm
Braces	20 x 2 mm
Accessory/truss	4 x connecting cone, pivot, pin

Load table TQ390:

Span (m)	Point load (kg)	Deflection (mm)	UDL (kg/m)	Deflection (mm)
1,0	1840	3,1	1500	3,8
2,0	1840	3,1	1500	3,8
2,5	1800	4,8	1216	4,5
3,0	1760	6,3	960	6,0
4,0	1400	10,7	570	10,9
5,0	1140	15,3	450	18,4
6,0	960	22,0	312	25,7
8,0	700	34,9	168	41,1
10,0	540	56,0	106	66,7
12,0	500	83,9	72	89,5
14,0	360	103,3	52	126,3
16,0	320	132,4	39	159,6

Maximum system-length: 16 meters

The load capacities given in this load table are based on the German standard DIN 4113.

The capacities are only valid for static loads supported at both ends and must never be exceeded!

Please refer to the VPLT Code of Practice SR1.0 available under www.plasa.org and www.vplt.org

For BS and ANSI compliance multiply the given capacities with 0.85.

This load table is only valid for trussing systems made of ALUTRUS components.

This load table is not valid for circular truss.

TUV-approval:



Mark approval certificate no.: 25029771001

Test report no.: 153388

Welding approval:



Welding certificate no.: Al 6316/04

